

H 175

MAINTENANCE DOCKING SYSTEMS & GROUND SUPPORT EQUIPMENT





Table of Content

1.	RA Norway.....	3
1.1	H 175 Maintenance docking system	4
1.2	Antiskid surface and rubber fender protection	5
1.3	Heavy duty wheels with brakes	5
1.4	Removable/ telescope railing	6
1.5	Electrical, lights & pneumatic installation.....	6
1.6	Maintenance docking system design and load rating	7
2.	Docking system accessories	8
2.1	Surface treatment	8
2.1.1	Pneumatic installation	8
2.1.2	Electrical installation	9
2.1.3	Storage cabinets	10
2.1.4	Working table.....	11
2.1.5	PC table.....	12
2.1.6	Paper dispenser.....	13
2.1.7	Container for cleaning rags.....	14
3.	H 175 Ground support equipment	15
3.1	General description:.....	15
3.2	Surface treatment	15
3.3	Certificate	15
3.4	ATA 62 Main rotor blade trolley.....	16
3.4.1	Main rotor blade trolley	16
3.5	ATA 25 Rescue hoist cable wash trolley	17
4.	Order sheet.....	18

1. RA Norway

RA Norway AS has years of experience from design, production and installation of aviation maintenance equipment. Globally we do maintenance of docking systems and other ground support equipment for various helicopter-fixed wing types and models.

Our company has in house competencies and experience to design customized maintenance systems in accordance to customer's needs.

In co-operation with our customers, we generate solutions that lead to a safe and efficient way of performing maintenance for our customers. Military and civilian aircraft operators worldwide use our products.

Our products are;

- **Safe for maintenance personal**
- **Cost effective maintenance**
- **Tailored to customers' needs**
- **Light weight**
- **Easy to operate**
- **Maintenance free**
- **Dynamic and fully adjustable**
- **Modular in sections**
- **Extendable with other platforms**
- **No damage to aircraft**
- **Spark free**
- **Equipped with pneumatic, and electrical outlets**
- **Integrated lightning system for optimal working conditions**
- **Designed in accordance to international standards**

1.1 H 175 Maintenance docking system

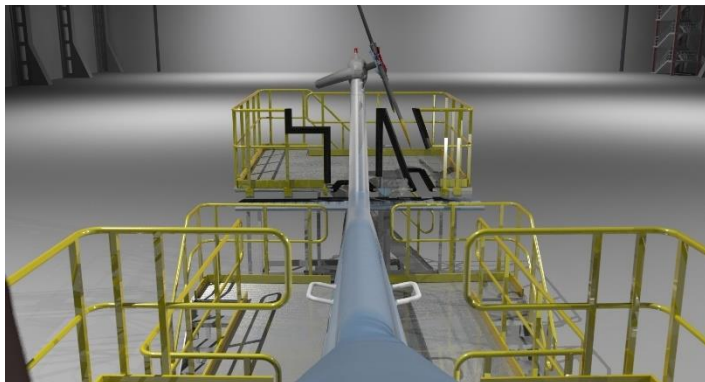
Part Name	Maintenance docking system
Part Number <ul style="list-style-type: none"> • RA-H175-MD-2211-0 • RA-H175-MD-2212-0 • RA-H175-MD-2213-0 • RA-H175-MD-2214-0 • RA-H175-MD-2215-0 	Consist of: <ul style="list-style-type: none"> • Side Platform R/H • Side Platform L/H • Tail cone platform R/H • Tail cone platform L/H • Tail platform R/H
AMM Reference	N/A

General description:

This docking system supports all maintenance activities on the H-175. It is produced in lightweight aluminum and the floor have an antiskid surface. All edges against the fuselage have a rubber protection band to avoid any harm to the helicopter. There is a variety of options to choose from as lighting, pneumatic and other accessories as described in this brochure.



1.2 Antiskid surface and rubber fender protection



1.3 Heavy duty wheels with brakes

Swivel wheels with brakes, 600kg load per wheel.



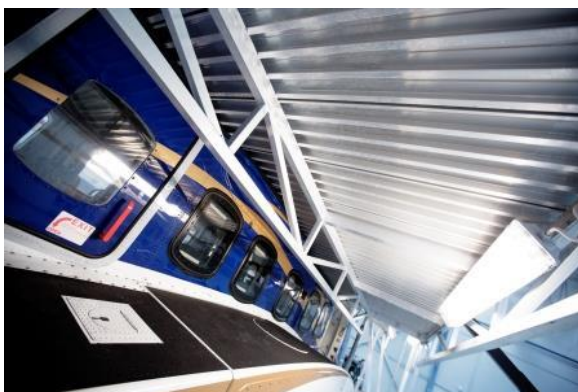
1.4 Removable/ telescope railing

In some places, it is required to be able to lower the railing.



1.5 Electrical, lights & pneumatic installation

This option has a single point electrical connection on each stand, connected to a numerous electrical connections around the stands. It gives the mechanic easy access to electrical power as they are working around the helicopter. It adds lighting under both side stands and railing to improve the working conditions for the mechanic. The customer may choose from 220V or 110V installation.



1.6 Maintenance docking system design and load rating

Design for 200 kg/m²



2. Docking system accessories

2.1 Surface treatment

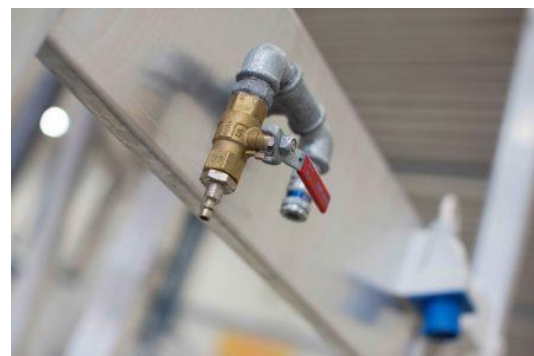
All ground support accessories are powder coated red to give durability and a nice finish.

2.1.1 Pneumatic installation

Part Name	Pneumatic installation
Part Number	RA-175DSA- 2217-0
AMM Reference	N/A

General description:

This option has a single point pneumatic connection on each stand, connected to a numerous pneumatic connections around the stands. It gives the mechanic easy access to air as they are working around the helicopter.

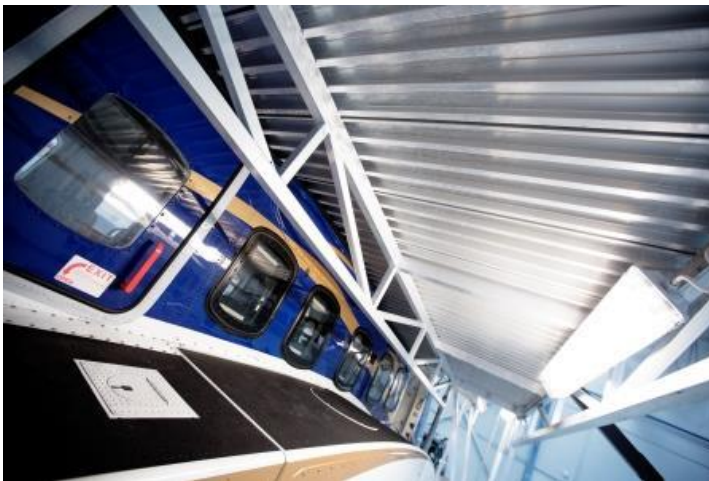


2.1.2 Electrical installation

Part Name	Electrical installation
Part Number	RA-175DSA- 2216-0 (220 V)
AMM Reference	N/A

General description:

This option has a single point electrical connection on each stand, connected to a numerous electrical connections around the stands. It gives the mechanic easy access to electrical power as they are working around the helicopter. It adds lighting under both side stands to improve the working conditions.

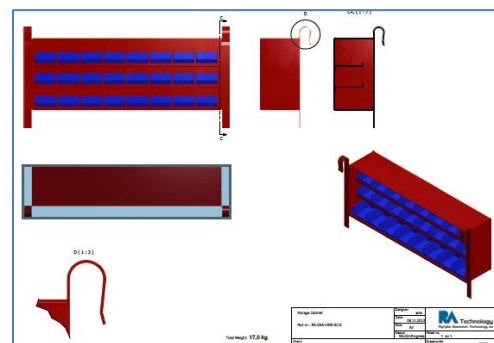


2.1.3 Storage cabinets

Part Name	Storage cabinets
Part Number	RA-DSA- 1990-0
AMM Reference	N/A

General description:

The storage cabinets are designed to hold fairing screws, removed component etc. They slide over the side rails and can be positioned where most suitable. It is up to each operator to determine how many needed and how to utilize them. The recommendation is one on each side stand and one on the tail stand, three altogether.

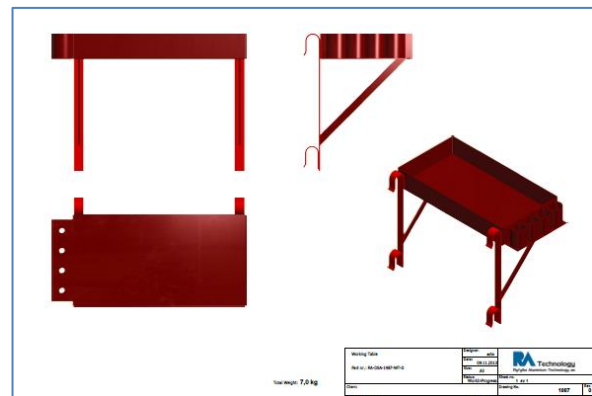


2.1.4 Working table

Part Name	Working table
Part Number	RA-DSA- 1987-WT-0
AMM Reference	N/A

General description:

The working tables are designed to hold tools, removed component etc. They slide over the side rails and may be position where most suitable.
It is up to each operator to determine how many needed and how to utilize them.
The recommendation is one on each side stand and one on the tail stand, three altogether.

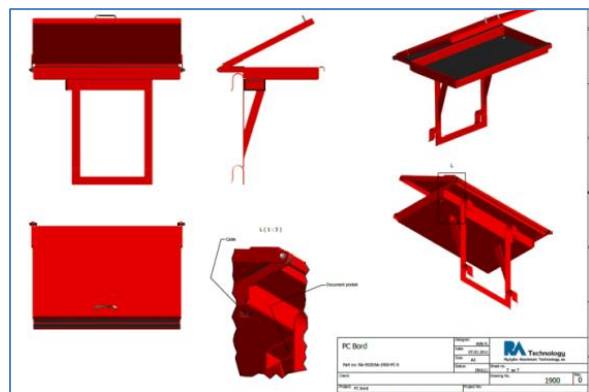


2.1.5 PC table

Part Name	PC table
Part Number	RA-DSA- 1816-0PC
AMM Reference	N/A

General description:

The PC tables are designed support a PC for the mechanic during his work. They slide over the side rails and may be positioned where most suitable. It is up to each operator to determine how many needed and how to utilize them. The recommendation is one on each side stand and one on the tail stand, three altogether.

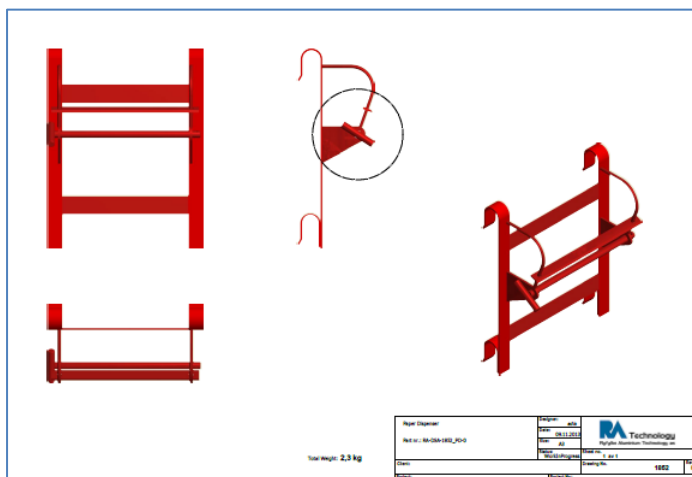


2.1.6 Paper dispenser

Part Name	Paper dispenser
Part Number	RA-DSA- 1852-PD-0
AMM Reference	N/A

General description:

The paper dispenser is designed to support paper rolls. They slide over the side rails and may be positioned where most suitable. It is up to each operator to determine how many needed and how to utilize them. The recommendation is one on each side stand and one on the tail stand, three altogether.

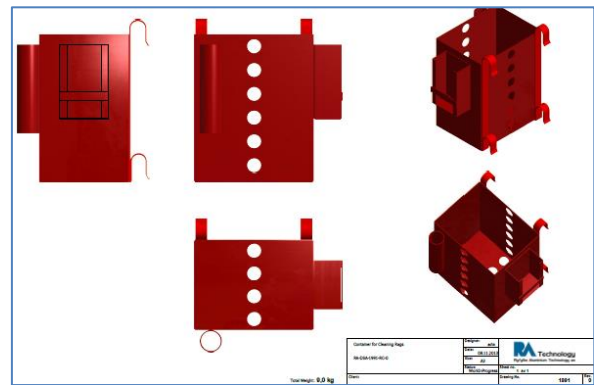


2.1.7 Container for cleaning rags

Part Name	Container for cleaning rags
Part Number	RA-DSA- 1991-0
AMM Reference	N/A

General description:

The container for rags is designed to support paper rolls. They slide over the side rails and may be position where most suitable. It is up to each operator to determine how many needed and how to utilize them. The recommendation is one on each side stand and one on the tail stand, three altogether.



3. H 175 Ground support equipment

3.1 General description:

Accessories are usable for maintenance and line maintenance docking system.

3.2 Surface treatment

All ground support accessories are powder coated red to give durability and a nice finish.

3.3 Certificate

All equipment as slings etc., will be delivered with a certificate.

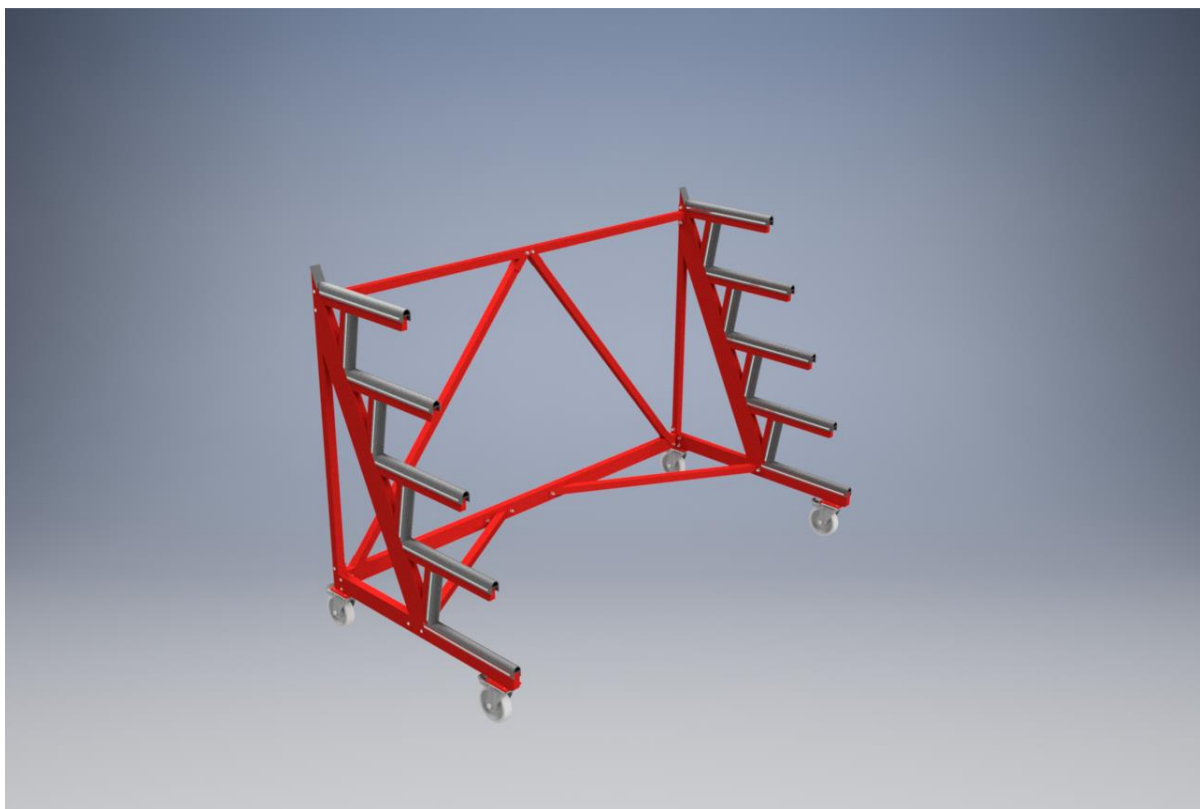
3.4 ATA 62 Main rotor blade trolley

3.4.1 Main rotor blade trolley

Part Name	Main rotor blade trolley
Part Number	RA-EC 225 2084
MM Reference	N/A

General description:

The main rotor blade trolley is designed to support all four main rotor blades when they are removed from the helicopter.



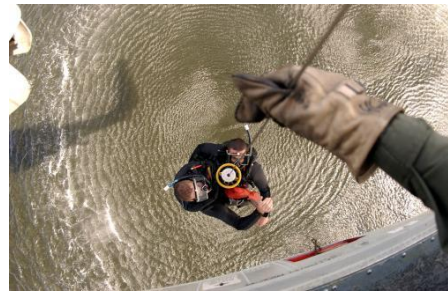
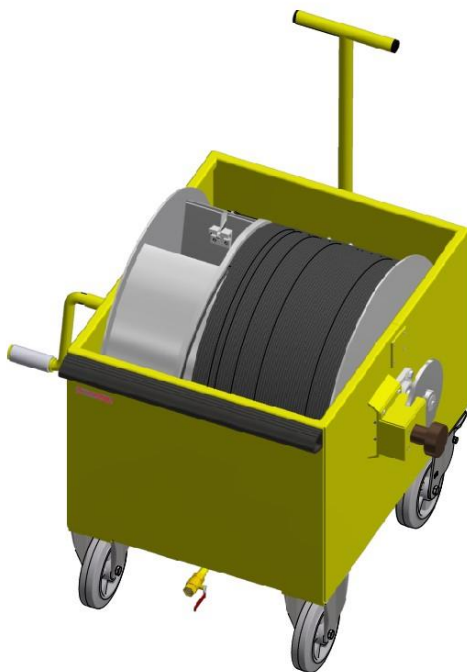


3.5 ATA 25 Rescue hoist cable wash trolley

Part Name	Rescue hoist cable wash trolley
Part Number	RA-GSE-2071-1-RHC
AMM Reference	25-70-00

General description:

The Rescue hoist-cable wash trolley is designed for safe and easy washing of rescue cable after use. The trolley consists of a wash basin and a drum that reels the cable. The drum is equipped with adjustable braking system that ensures correct tension when spooling the cable.



4. Order sheet

Fill in order sheet:

Description	Part Number	Qty
Maintenance Docking System		
Side Platform R/H	RA-H175-MD-2211-0	
Side Platform L/H	RA-H175-MD-2212-0	
Tail cone side Platform R/H	RA-H175-MD-2213-0	
Tail cone side Platform L/H	RA-H175-MD-2214-0	
Tail Platform R/H	RA-H175-MD-2215-0	
Docking system accessories		
Storage cabinet	RA-DSA- 1990-SC-0	
Electrical installation	RA-175DSA- 2216-0 (220 V)	
Pneumatics Installation	RA-175DSA- 221700-0	
Working Table	RA-DSA-1987-WT-0	
PC Working Table	RA-DSA- 1816-PC-0	
Paper Dispenser	RA-DSA-1852-PD-0	
Container for cleaning rags	RA-DSA-1991-CR-0	
GSE Equipment		
Main Rotor Blades Trolley	RA-EC 225 2084	
Rescue hoist cable wash trolley	RA-GSE-2071-1-RHC	