

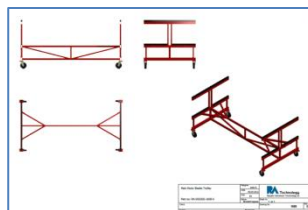
# EC 135

## MAINTENANCE DOCKING SYSTEMS



&

## GROUND SUPPORT EQUIPMENT





## Table of Content

|  |    |
|--|----|
| 1. RA Norway.....                                | 3  |
| 1.1 EC 135 Maintenance docking system .....      | 4  |
| 2. Docking system accessories .....              | 6  |
| 2.1 Surface treatment .....                      | 6  |
| 2.1.1 Pneumatic installation .....               | 6  |
| 2.1.2 Electrical installation .....              | 7  |
| 2.1.3 Storage cabinet.....                       | 8  |
| 2.1.4 Working table.....                         | 9  |
| 2.1.5 PC table.....                              | 10 |
| 2.1.6 Paper dispenser.....                       | 11 |
| 2.1.7 Container for cleaning rags .....          | 12 |
| 3. EC135 Ground support equipment.....           | 13 |
| 3.1 General description:.....                    | 13 |
| 3.2 Surface treatment .....                      | 13 |
| 3.3 Certificate .....                            | 13 |
| 3.4 ATA 62 Main rotor.....                       | 14 |
| 3.4.1 Main rotor blade trolley .....             | 14 |
| 3.5 ATA 25 Rescue hoist cable wash trolley ..... | 15 |
| 4. Order sheet.....                              | 16 |



## 1. RA Norway

RA Norway AS has years of experience from design, production and installation of aviation maintenance equipment. Globally we do maintenance of docking systems and other ground support equipment for various helicopter-fixed wing types and models.

Our company has in house competencies and experience to design customized maintenance systems in accordance to customer's needs.

In co-operation with our customers, we generate solutions that lead to a safe and efficient way of performing maintenance for our customers. Military and civilian aircraft operators worldwide use our products.

Our products are;

- **Safe for maintenance personal**
- **Cost effective maintenance**
- **Tailored to customers' needs**
- **Light weight**
- **Easy to operate**
- **Maintenance free**
- **Dynamic and fully adjustable**
- **Modular in sections**
- **Extendable with other platforms**
- **No damage to aircraft**
- **Spark free**
- **Equipped with pneumatic, and electrical outlets**
- **Integrated lightning system for optimal working conditions**
- **Designed in accordance to international standards**

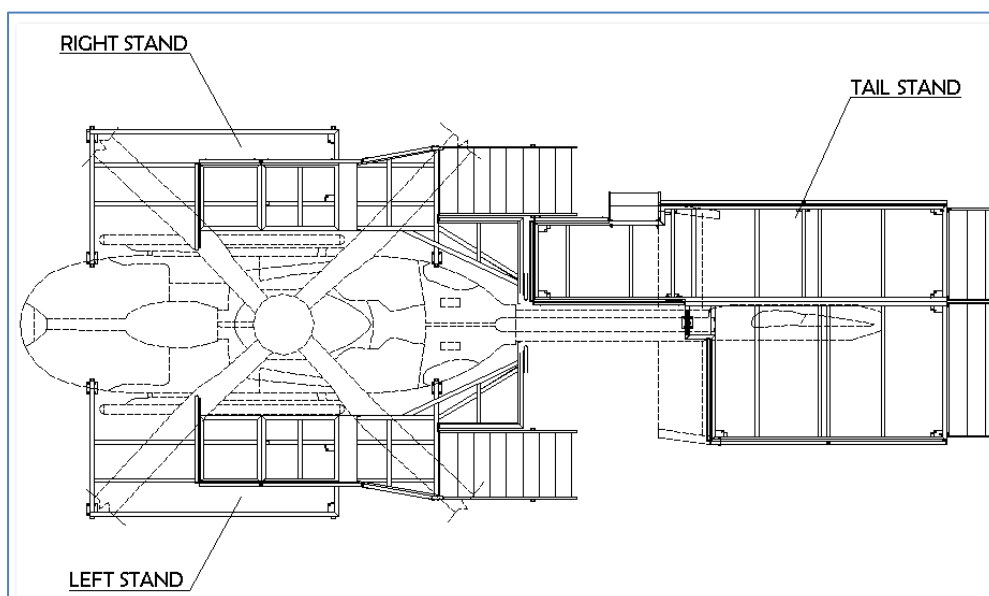


## 1.1 EC 135 Maintenance docking system

|               |   |
|---------------|---|
| Part Name     | Maintenance docking system  |
| Part Number   | Consist of: <ul style="list-style-type: none"><li>• Side Platform R/H</li><li>• Side Platform L/H</li><li>• Tail Platform R/H</li><li>• Tail Platform L/H</li></ul> |
| AMM Reference | N/A   |

### General description:

This docking system supports all maintenance activities on the EC-135. It is produced in lightweight aluminum and the floor have an antiskid surface. All edges against the fuselage have a rubber protection band to avoid any harm to the helicopter. There is a variety of options to choose from as lighting, pneumatic and other accessories as described in this brochure.





RA Norway





## 2. Docking system accessories

### 2.1 Surface treatment

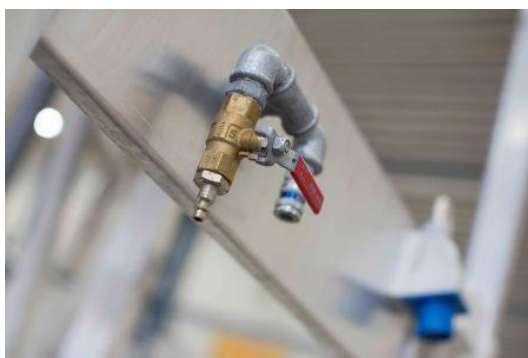
All ground support accessories are powder coated red to give durability and a nice finish.

#### 2.1.1 Pneumatic installation

|                      |                        |
|----------------------|------------------------|
| <b>Part Name</b>     | Pneumatic installation |
| <b>Part Number</b>   | RA-135DSA- 1854-0      |
| <b>AMM Reference</b> | N/A                    |

#### General description:

This option has a single point pneumatic connection on each stand, connected to a numerous pneumatic connection around the stands. It gives the mechanic easy access to air as they are working around the helicopter.





## 2.1.2 Electrical installation

|                      |                           |
|----------------------|---------------------------|
| <b>Part Name</b>     | Electrical installation   |
| <b>Part Number</b>   | RA-135DSA- 1857-0 (220 V) |
| <b>AMM Reference</b> | N/A                       |

### General description:

This option has a single point electrical connection on each stand, connected to a numerous electrical connections around the stands. It gives the mechanic easy access to electrical power as they are working around the helicopter. It adds lighting under both side stands to improve the working conditions.





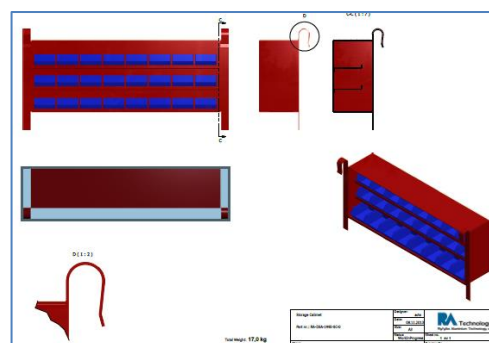


### 2.1.3 Storage cabinet

|                      |                 |
|----------------------|-----------------|
| <b>Part Name</b>     | Storage cabinet |
| <b>Part Number</b>   | RA-DSA- 1990-0  |
| <b>AMM Reference</b> | N/A             |

#### General description:

The storage cabinets are designed to hold fairing screws, removed component etc. It slides over the side rail and may be positioned where suitable. It is up to each operator to determine how many needed and how to utilize them. The recommendation is one on each side stand and one on the tail stand, three altogether.





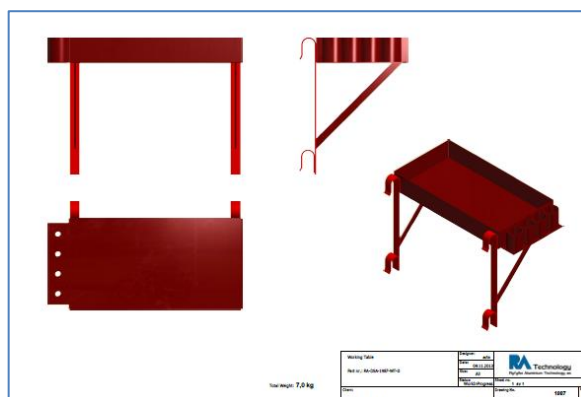


### 2.1.4 Working table

|                      |                   |
|----------------------|-------------------|
| <b>Part Name</b>     | Working table     |
| <b>Part Number</b>   | RA-DSA- 1987-WT-0 |
| <b>AMM Reference</b> | N/A               |

#### General description:

The working tables are designed to hold tools, removed component etc. It slides over the side rail and may be positioned where suitable. It is up to each operator to determine how many needed and how to utilize them. The recommendation is one on each side stand and one on the tail stand, three altogether.



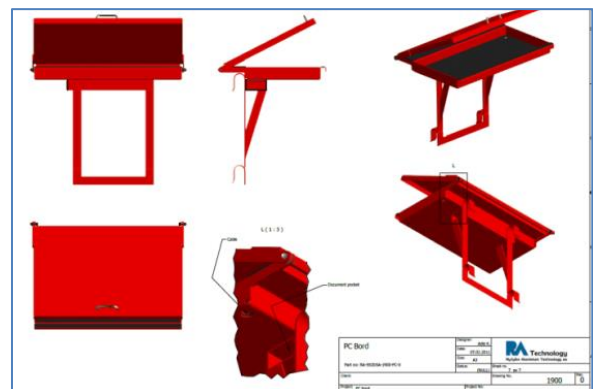


### 2.1.5 PC table

|                      |                  |
|----------------------|------------------|
| <b>Part Name</b>     | PC table         |
| <b>Part Number</b>   | RA-DSA- 1816-0PC |
| <b>AMM Reference</b> | N/A              |

#### General description:

The PC table is designed support a PC for the mechanic during his work. It slides over the side rail and may be positioned where suitable. It is up to each operator to determine how many needed and how to utilize them. The recommendation is one on each side stand and one on the tail stand, three altogether.



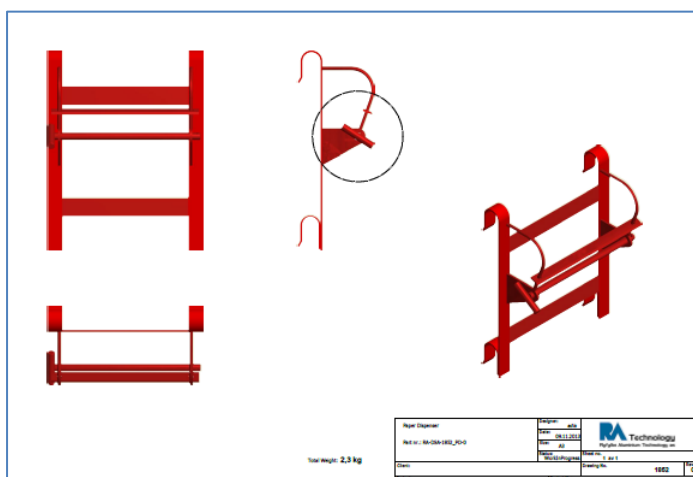


### 2.1.6 Paper dispenser

|                      |                   |
|----------------------|-------------------|
| <b>Part Name</b>     | Paper dispenser   |
| <b>Part Number</b>   | RA-DSA- 1852-PD-0 |
| <b>AMM Reference</b> | N/A               |

#### General description:

The paper dispenser is designed to support paper rolls. It slides over the side rail and may be positioned where suitable. It is up to each operator to determine how many needed and how to utilize them. The recommendation is one on each side stand and one on the tail stand, three altogether.



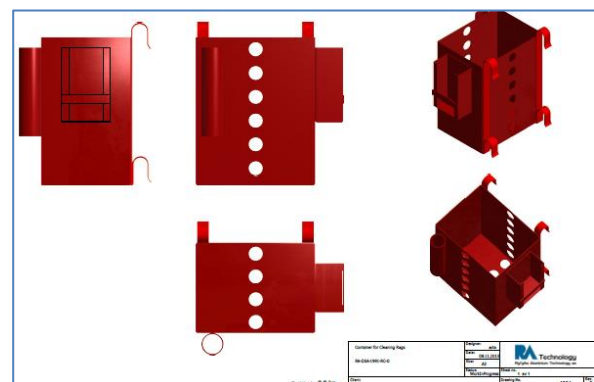


### 2.1.7 Container for cleaning rags

|                      |                             |
|----------------------|-----------------------------|
| <b>Part Name</b>     | Container for cleaning rags |
| <b>Part Number</b>   | RA-DSA- 1991-0              |
| <b>AMM Reference</b> | N/A                         |

#### General description:

The container for rags is designed to support paper rolls. It slides over the side rail and may be positioned where suitable. It is up to each operator to determine how many needed and how to utilize them. The recommendation is one on each side stand and one on the tail stand, three altogether





### **3. EC135 Ground support equipment**

#### **3.1 General description:**

Accessories are usable for maintenance and line maintenance docking system.

#### **3.2 Surface treatment**

All ground support accessories are powder coated red to give durability and a nice finish.

#### **3.3 Certificate**

All equipment as slings etc., will be delivered with a certificate.



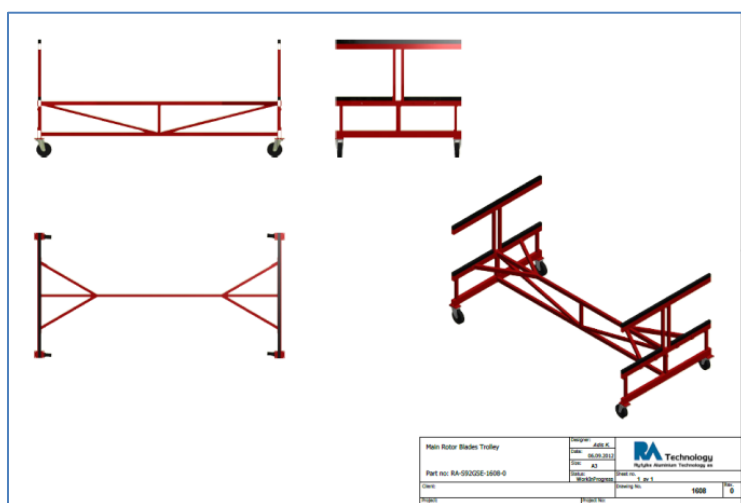
### 3.4 ATA 62 Main rotor

#### 3.4.1 Main rotor blade trolley

|                     |                          |
|---------------------|--------------------------|
| <b>Part Name</b>    | Main Rotor Blade trolley |
| <b>Part Number</b>  | RA-EC135GSE- 1608-0      |
| <b>MM Reference</b> | 62                       |

#### General description:

The main rotor blade trolley is designed to support all four main rotor blades when they are removed from the helicopter.



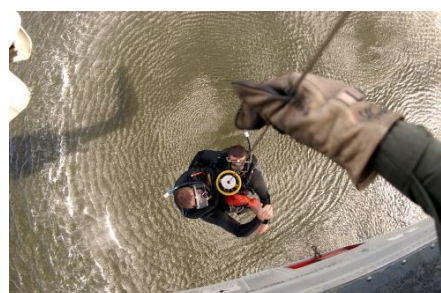
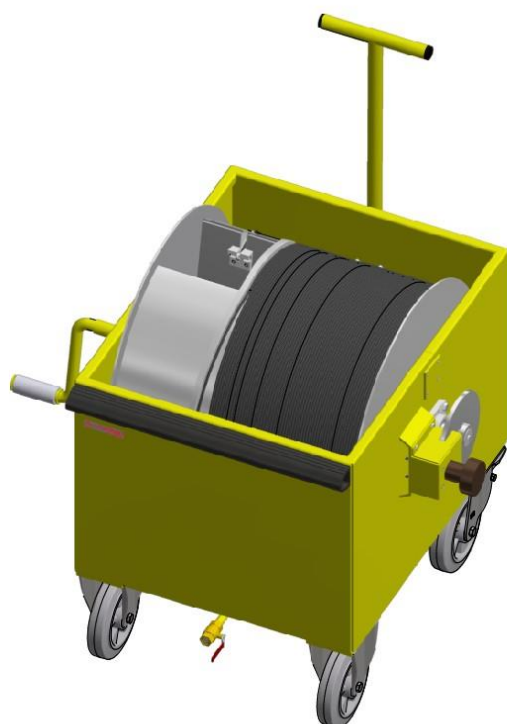


### 3.5 ATA 25 Rescue hoist cable wash trolley

|                    |                                 |
|--------------------|---------------------------------|
| <b>Part Name</b>   | Rescue hoist cable wash trolley |
| <b>Part Number</b> | RA-GSE-2071-1-RHC               |

#### General description:

The rescue hoist-cable wash trolley is designed for safe and easy washing of rescue cable after use. The trolley consists of a wash basin and a drum that reels the cable. The drum is equipped with adjustable braking system that ensures correct tension when spooling the cable.







## 4. Order sheet

Fill in order sheet:

| Description                       | Part Number         | Qty |
|-----------------------------------|---------------------|-----|
| <b>Maintenance Docking System</b> |                     |     |
| Side Platform R/H                 |                     |     |
| Side Platform L/H                 |                     |     |
| Tail Platform R/H                 |                     |     |
| Tail Platform L/H                 |                     |     |
| <b>Docking system accessories</b> |                     |     |
| Storage cabinet                   | RA-DSA- 1990-SC-0   |     |
| Electrical installation           |                     |     |
| Pneumatics Installation           |                     |     |
| Working Table                     | RA-DSA-1987-WT-0    |     |
| PC Working Table                  | RA-DSA- 1816-PC-0   |     |
| Paper Dispenser                   | RA-DSA-1852-PD-0    |     |
| Container for cleaning rags       | RA-DSA-1991-CR-0    |     |
| <b>GSE Equipment</b>              |                     |     |
| Main Rotor Blades Trolley         | RA-EC135GSE- 1608-0 |     |
| Rescue hoist cable wash trolley   | RA-GSE-2071-1-RHC   |     |